

1.



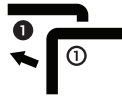
Print the template

2a.



Glue the template onto cardboard

2b.



Glue light numbers on top of dark ones

3.

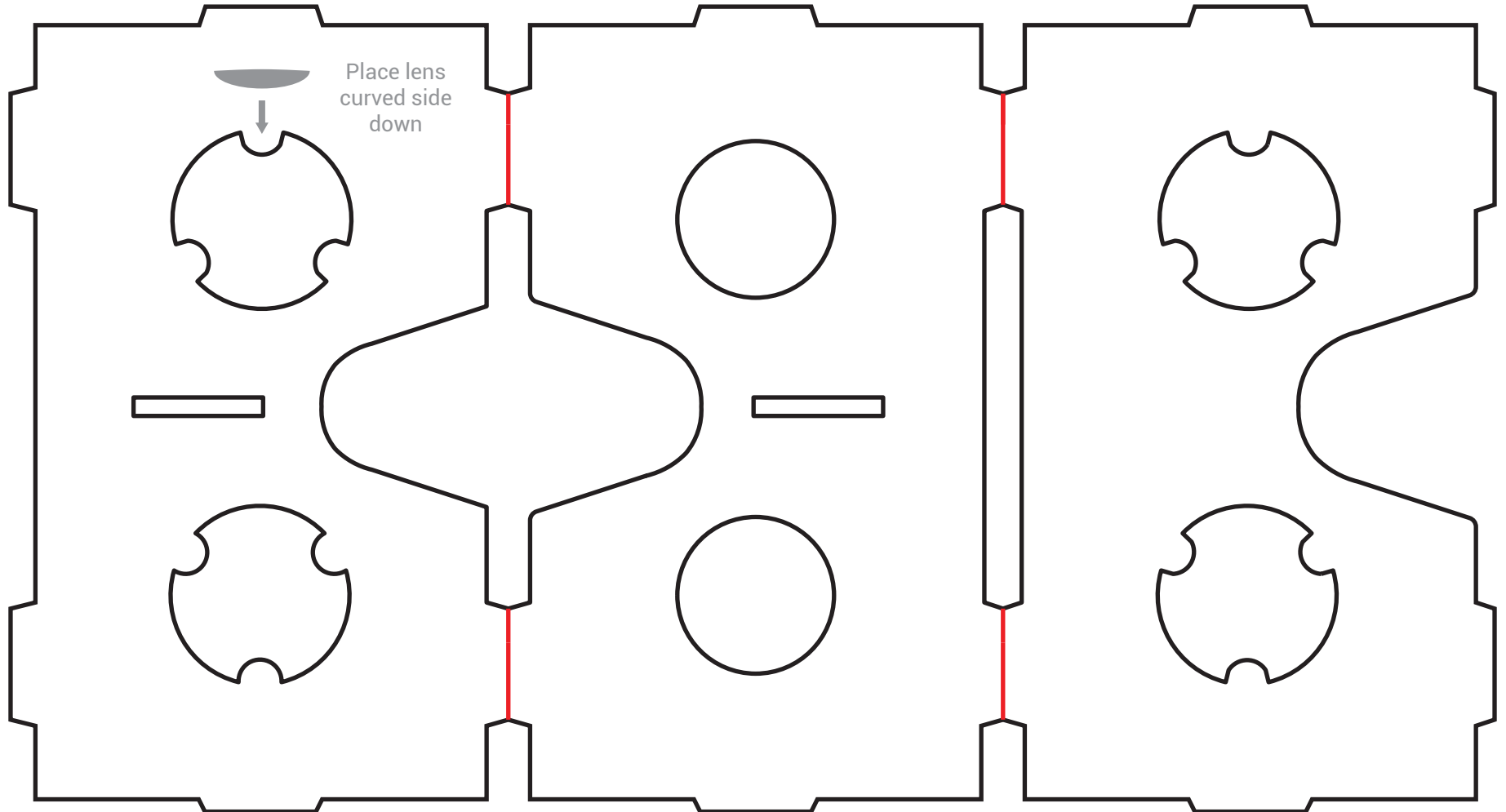


Cut out cardboard

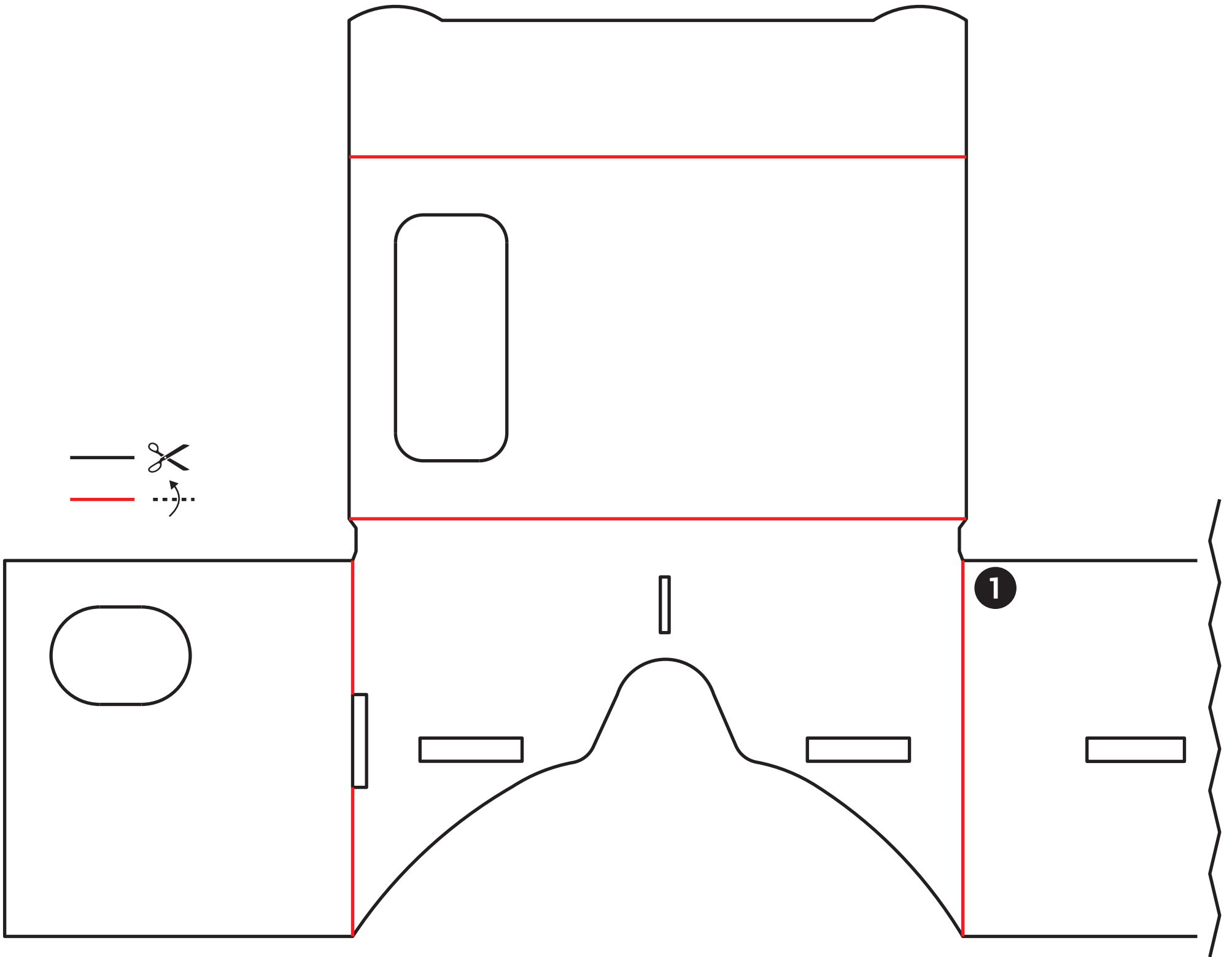
4.



Assemble as on [g.co/cardboard](http://g.co/cardboard)



**Cardboard 1.0**  
Printer template



1

